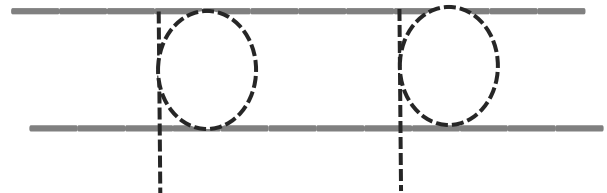
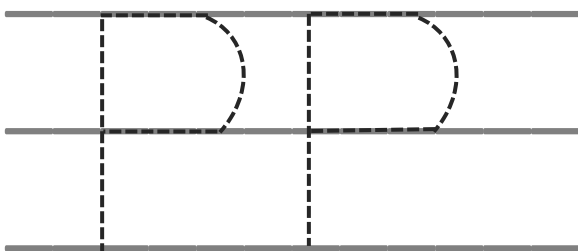
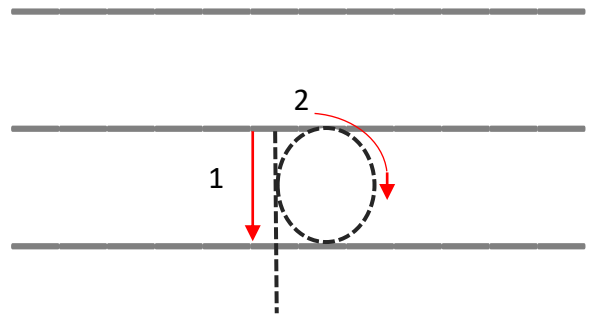
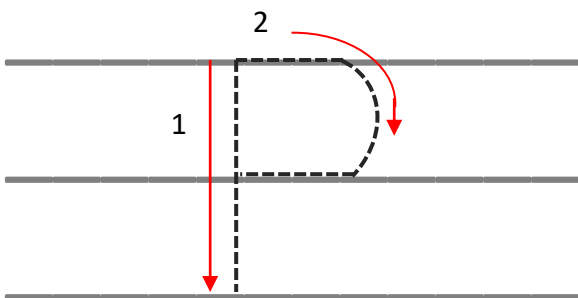


P

p



1 Words that start with Pp

ピーからはじまることば



pan



pen



pig



panda



pencil



pizza

2 Letter Match

Circle the picture that begins with the **p** sound.

ピーのおとからはじまるえをまるでかこみましょう

p



owl



panda

p



pig

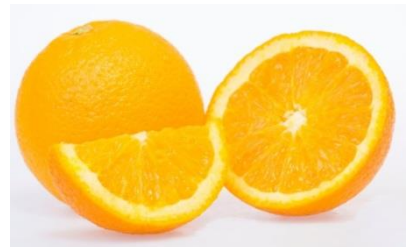


rat

p



pizza



orange

3 Let's Practice!

れんしゅうしましょう

Pp is for pan.



Pp is for panda.



Pp is for pen.



Pp is for pencil.



Pp is for pig.



Pp is for pizza.



4 Find the secret letter!

Color the letter P.

ピーをぬりつぶしましょう

O	Q	Q	Q	P	P	P	P	P	P	P	P	P	O	O	O	Q
O	Q	O	Q	P	P	P	P	P	P	P	P	P	P	O	O	Q
O	Q	O	Q	P	P	P	P	P	P	P	P	P	P	O	O	Q
O	Q	O	Q	P	P	P	O	O	O	O	P	P	P	O	O	Q
O	Q	O	Q	P	P	P	Q	Q	Q	Q	P	P	P	O	O	Q
O	Q	O	Q	P	P	P	P	P	P	P	P	P	P	O	O	Q
O	Q	O	Q	P	P	P	P	P	P	P	P	P	P	Q	O	Q
O	Q	O	Q	P	P	P	P	P	P	P	P	P	O	O	P	Q
O	Q	O	Q	P	P	P	O	O	O	O	Q	O	O	O	P	Q
O	Q	O	Q	P	P	P	O	O	O	O	Q	Q	Q	Q	O	Q
O	Q	O	Q	P	P	P	O	O	O	O	Q	Q	Q	Q	O	Q
O	Q	O	Q	P	P	P	O	O	O	O	Q	Q	Q	Q	O	Q
O	Q	Q	Q	P	P	P	Q	Q	Q	O	Q	Q	Q	O	O	Q